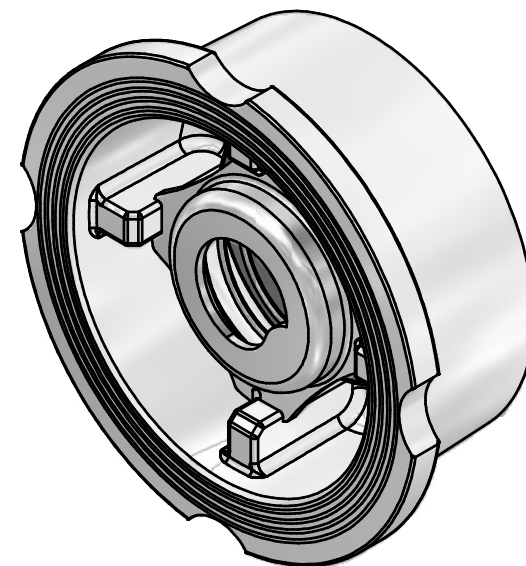
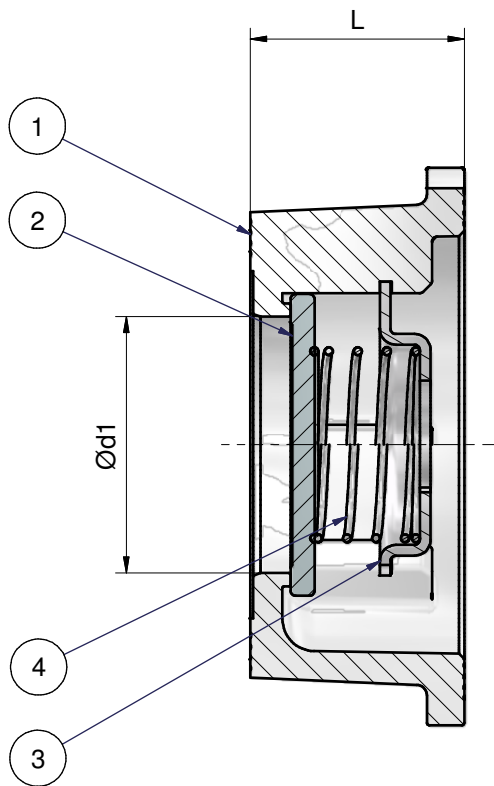
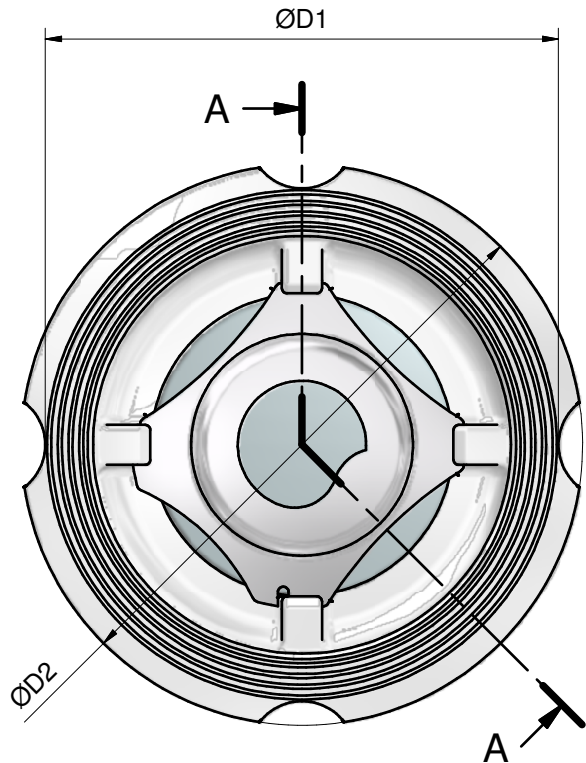


- Product classification according to DGRL 97/23/EC, Fluid Group 1
- Placement between flanges according to DIN EN 1092-1, Form B1, PN 6-40 and ANSI B16.5 Class 150/ 300 RF
- Operational limits according to DIN EN 1092-1 and AD-Merkblätter W10
- Tightness according to DIN EN 12266-1
Leakage Rate D (Sealing M, T) and Leakage Rate A (Sealing E, P, V)
- Overall length according to DIN EN 558-1, line 49 (K4)
- Identification according to DIN EN 19

DN (mm)	15	20	25	32	40	50	65	80	100
DN (zoll)	1/2"	3/4"	1"	1 1/4"	1 1/2"	2"	2 1/2"	3"	4"
Ø d1	15	20	25	32	39	48	62	72.5	89
Ø d2	26	31	36	44	51.5	62	77.5	92	107
Ø D1	44	54	63.5	73	82.5	96	116	132	152
Ø D2	51	61	71	79.5	92	107	127	142	162/168
L	16	19	22	28	31.5	40	46	50	60
weight	0.1	0.2	0.3	0.5	0.7	1.1	1.6	3	3.5

Stückliste				
PO	ANZA	BAUTEILNUMMER	BEZEICHNUNG	MAT
4	1	csdfe_-025	CSD-Spring	see data sheet CSD
3	1	csdfk64-025	CSD-Spring Holder	see data sheet CSD
2	1	csdvp_-025	CSD-Valve Plate DN 15-100	see data sheet CSD
1	1	csdgc_-025	CSD-Body DN 15-100	see data sheet CSD
Auftrags-Nr.:		last edit	19.11.2008	
FN:\N:\3D\CSD\csd025\csd-__m025.iam		Gezeichnet	03.05.2006	
Änd.		Änd.	Ersteller	B.Schmid
ChemValve-Schmid Armaturentechnik		Benennung Non Return Valve Type CSD 15-100		Zeichnungs-Nr. csd-__m025.iam



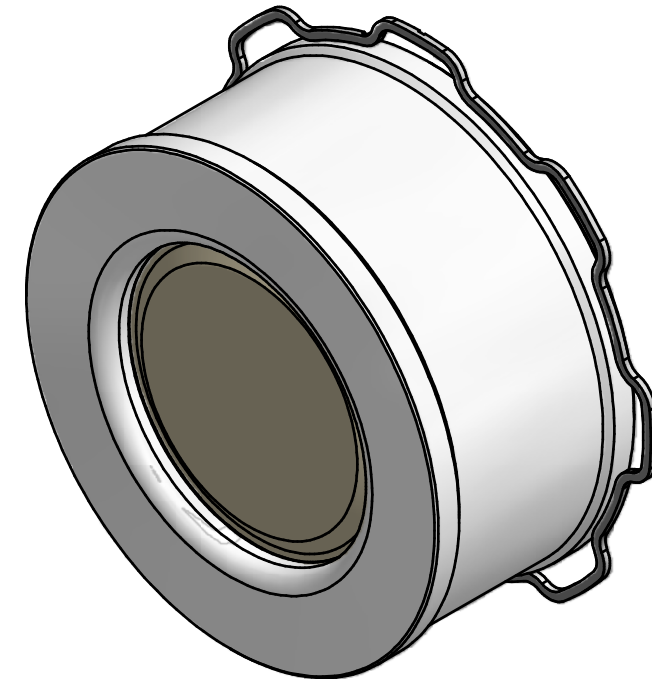
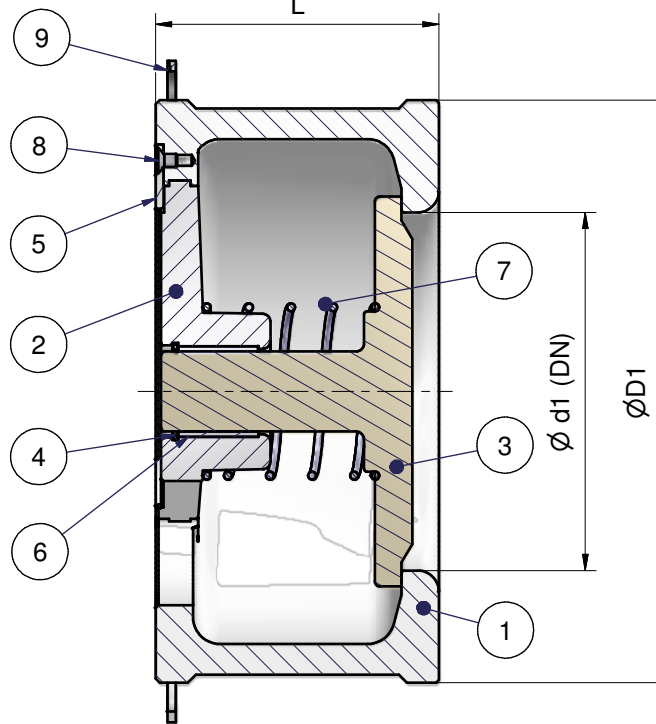
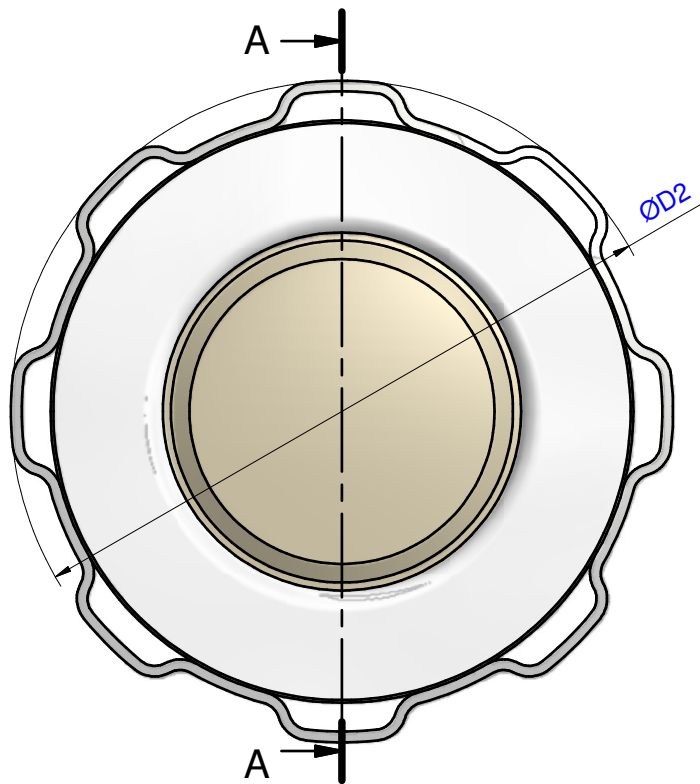


A-A (1:1)

- Product classification according to DGRL 97/23/EC, Fluid Group 1
- Placement between flanges according to DIN EN 1092-1, Form B1, PN 6-40
- Operational limits according to DIN EN 1092-1 and AD-Merkblätter W10
- Tightness according to DIN EN 12266-1
Leakage Rate D (Sealing M, T) and Leakage Rate A (Sealing E, P, V)
- Overall length according to DIN EN 558-1, line 49 (K4)
- Identification according to DIN EN 19

DN (mm)	15	20	25	32	40	50	65	80	100
DN (zoll)	1/2"	3/4"	1"	1 1/4"	1 1/2"	2"	2 1/2"	3"	4"
Ø d1	15	20	25	32	39	48	62	72	89
Ø D1	43	53	63	75	86	96	116	133	154
Ø D2	50	60	70	81	91	105	126	148	164/170
L	16	19	22	28	31.5	40	46	50	60
Weight	0.1	0.2	0.3	0.5	0.7	1.1	1.6	3	3.5

Stückliste				
PO	ANZA	BAUTEILNUMMER	BEZEICHNUNG	MAT
4	1	csdfe_-015-100	CSD- Spring DN 15-100	see data sheet CVD
3	1	csdfk64-015-100	CSD- Spring Holder DN 15-100	see data sheet CVD
2	1	csdvp_-015-100	CSD- Valve Plate DN 15-100	see data sheet CVD
1	1	cvdge_-015-100	CVD- Body DN 15-100	see data sheet CVD
Auftrags-Nr.:		last edit		19.11.2008
FN: N:\3D\CVD\Cvd050\cvd-3364m-050.iam			Gezeichnet	15.07.2008
Änd.		Änd.		Ersteller
		B.Schmid		1:1
ChemValve-Schmid Armaturentechnik			Benennung Non Return ValveType CVD 15-100	
			cvd-3364m-050.iam	



A-A

- Product classification according to DGRL 97/23/EC, Fluid Group 1
- Placement between flanges according to DIN EN 1092-1, Form B1, PN 10-40 and ANSI B16.5 Class 150/ 300 RF
- Operational limits according to DIN EN 1092-1 and AD-Merkblätter W10
- Tightness according to DIN EN 12266-1, Leakage Rate D (Sealing M, T) and Leakage Rate A (Sealing E, P, V)
- DN125-200, Overall length according to DIN EN 558-1, line 49
- DN250-350, Overall length according to DIN EN 558-2, line 52
- Identification according to DIN EN 19

- The pressure rates marked in blue are indicating the use of a centre ring.
D2 shows the outer diameter of the centre ring.

DN (mm)	125	150	200	250	300	350
DN (zoll)	5"	6"	8"	10"	12"	14"
Ø D1,PN10	192	218	273	328	378	438
Ø D1,PN16	192	218	273	328	378	444
Ø D1,D2,PN25	192	226	283	338	400	457
Ø D1,D2,PN40	192	226	290	352	417	474
D1,D2,ANSI150	192	218	273	338	400	447
D1,D2,ANSI300	212	247	304	352	417	482
L	90	106	140	200	250	280
Weight (kg)	10	14	24	50	77	108

Stückliste				
PO	ANZA	BAUTEILNUMM	BEZEICHNUNG	MATERIAL
9	1	zr11-150	Centre Ring DN150	1.4301
8	1	M5 x 8	ISK mit Senkkopf	St. Steel
7	1	csdfe_-150	CSD-Spring DN125-350	1.4401/ Hastelloy
6	1	csddu_-150	CSD-Bearing	PTFE MoS2/St.Steel
5	1	cschp_-125-150	CSD-Anti-Twist Holder 125-150	1.4408/ Hastelloy
4	1	csdsr_-125-150	CSD-Safety Ring DN125-150	see data sheet CSD
3	1	csdvp_-150	CSD-Valve Platte DN125-350	see data sheet CSD
2	1	csdst_-150	CSD-Star DN125-350	see data sheet CSD
1	1	csdge_-150	CSD-Body DN125-350	see data sheet CSD

Auftrags-Nr.:	last edit	19.11.2008	
FN:\N:\3D\CSD\csd150\CSD_m150_broschüre.iam		Gezeichnet	03.05.2006
Änd.	Änd.	Ersteller	B.Schmid
ChemValve-Schmid Armaturentechnik		Benennung	Zeichnungs-Nr.
Non Return Valve Type CSD 125-350		CSD____m150_broschüre.iam	
			Masstab 1:2