

- Product classification according to PED 97/23/EC, Fluid Group 1
- Placement between flanges according to DIN EN 1092-1, Form B1, PN 10-40 and ANSI B16.5 Class 150/ 300 RF
- Operational limits according to DIN EN 1092-1 and AD-Merkblätter W10
- Tightness according to DIN EN 12266-1
- Leakage Rate G (Sealing M, T) and Leakage Rate A (Sealing E, P, V)
- Overall length according to DIN EN 558, line 16
- Identification according to DIN EN 19

- The pressure rates marked in blue are indicating the use of a centre ring.
D2 shows the outer diameter of the centre ring

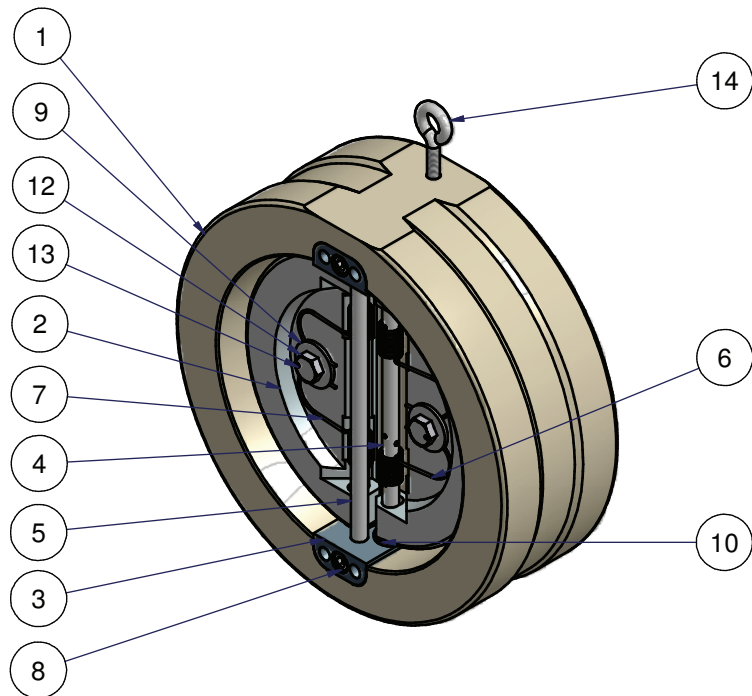
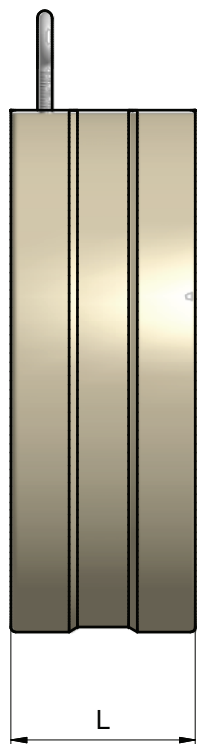
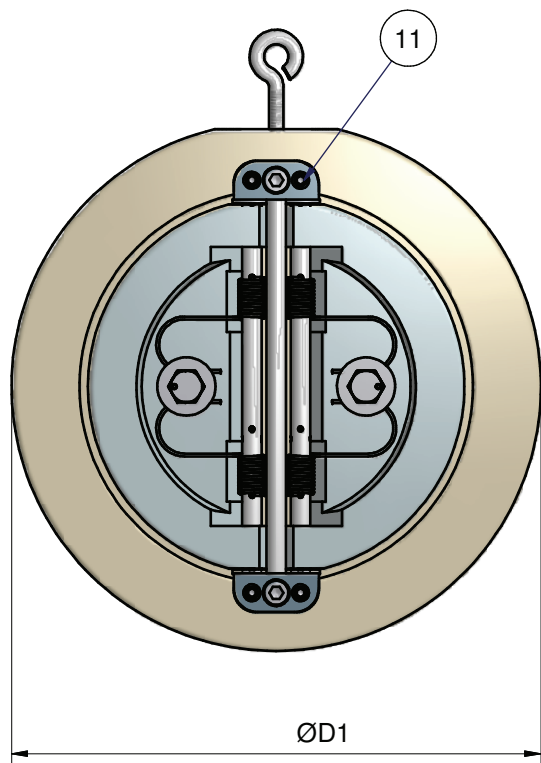
| DN (mm) | 50 | 65 | 80 | 100 | 125 | 150 | 200 | 250 | 300 |
|---------------|-----|--------|-----|-----|------|------|------|-----|-----|
| DN (zoll) | 2" | 2 1/2" | 3" | 4" | 5" | 6" | 8" | 10" | 12" |
| L | 43 | 46 | 64 | 64 | 70 | 76 | 89 | 114 | 114 |
| Ø D1,PN10 | 107 | 127 | 142 | 162 | 192 | 218 | 273 | 328 | 378 |
| Ø D1,PN16 | 107 | 127 | 142 | 162 | 192 | 218 | 273 | 328 | 378 |
| Ø D1,D2,PN25 | 107 | 127 | 142 | 170 | 192 | 226 | 283 | 338 | 400 |
| Ø D1,D2,PN40 | 107 | 127 | 142 | 170 | 192 | 226 | 290 | 352 | 417 |
| D1,D2,ANSI150 | 101 | 120 | 133 | 170 | 192 | 218 | 273 | 338 | 400 |
| D1,D2,ANSI300 | 107 | 127 | 142 | 177 | 212 | 247 | 304 | 352 | 417 |
| Gewicht (Kg) | 2.4 | 3.6 | 5.7 | 7.4 | 10.7 | 15.2 | 28.2 | 51 | 66 |

| Stückliste | | | | |
|------------|------|---------------------|---------------------------|--------------------|
| PO | ANZA | BAUTEILNUMMER | BEZEICHNUNG | MATERIAL |
| 15 | 1 | zr11-150 | Centre Ring DN150 | 1.4301 |
| 14 | 1 | ddcrs_-150 | DDC- Ring Screw M6-M12 | see data sheet DDC |
| 13 | 2 | ISO 8752 - 2 x 12 A | DDC-Split Pin 2 x 12 | see data sheet DDC |
| 12 | 2 | DIN 933 - M8 x 10 | Hexagon head srew M8 x 10 | see data sheet DDC |
| 11 | 4 | ISO 4026 - M6 x 10 | Head less screw M6 x 10 | see data sheet DDC |
| 10 | 4 | DIN 125 - A 8.4 | Washer 8.4 A | see data sheet DDC |
| 9 | 2 | DIN 9021 - 8.4 | Washer 8.4 | see data sheet DDC |
| 8 | 2 | ISO 4762 - M6 x 35 | Head cap screw M6 x 35 | see data sheet DDC |
| 7 | 2 | ddcfe_-150-02 | DDC-Spring-02 DN150 | see data sheet DDC |
| 6 | 2 | ddcfe_-150-01 | DDC-Spring-01 DN150 | see data sheet DDC |
| 5 | 1 | ddcaw_-150pn40 | DDC-Stop Pin DN150, PN40 | see data sheet DDC |
| 4 | 2 | ddcwe_-150pn40 | DDC-Pin DN150, PN40 | see data sheet DDC |
| 3 | 2 | ddcha_-150pn40 | DDC-Holder DN150, PN40 | see data sheet DDC |
| 2 | 2 | ddckh_-150pn40 | DDC-Disc DN150, PN40 | see data sheet DDC |
| 1 | 1 | ddcge_-150pn40 | DDC-Body DN150, PN40 | see data sheet DDC |

| | | | | |
|---|--|--|------------|--|
| Auftrags-Nr.: | | last edit | 09.07.2010 | b.schmid |
| Toleranzen ISO 2768 - mH | | Gezeichnet | 21.05.2008 | |
| Kanten DIN 6784; Oberflächen ISO 1302 | | Ersteller | B.Schmid | |
| FN:N:\3D\DDC\DDC150\ddc150_a\ddc_m150_broschüre_050-300.iam | | | | |
| ChemValve-Schmid Armaturentechnik | | Benennung Double Disc Check Valve Type DDC 50-300 | | Zeichnungs-Nr. ddc_m150_broschüre_050-300.iam |



Massstab 1:1



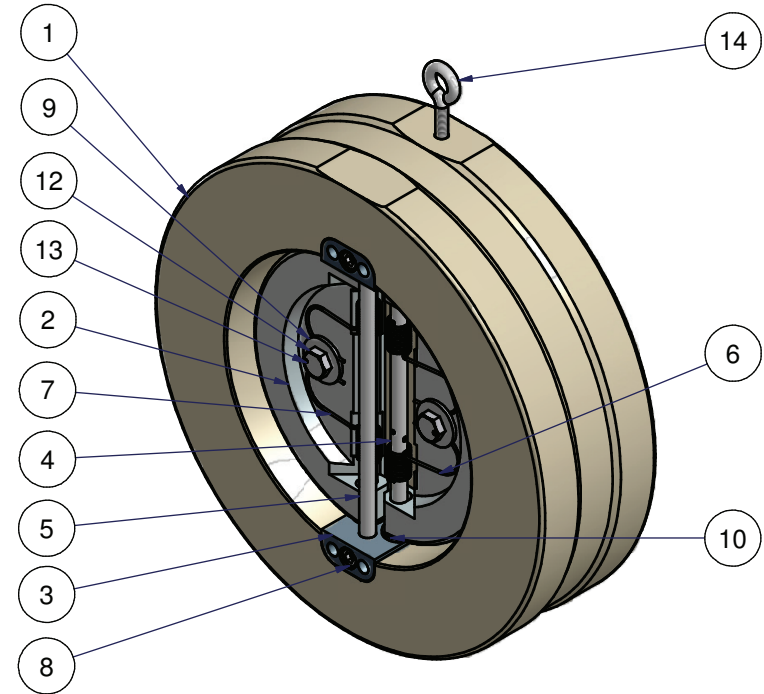
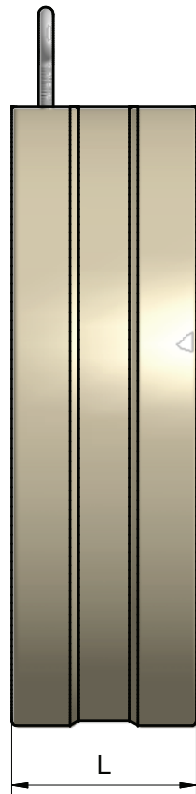
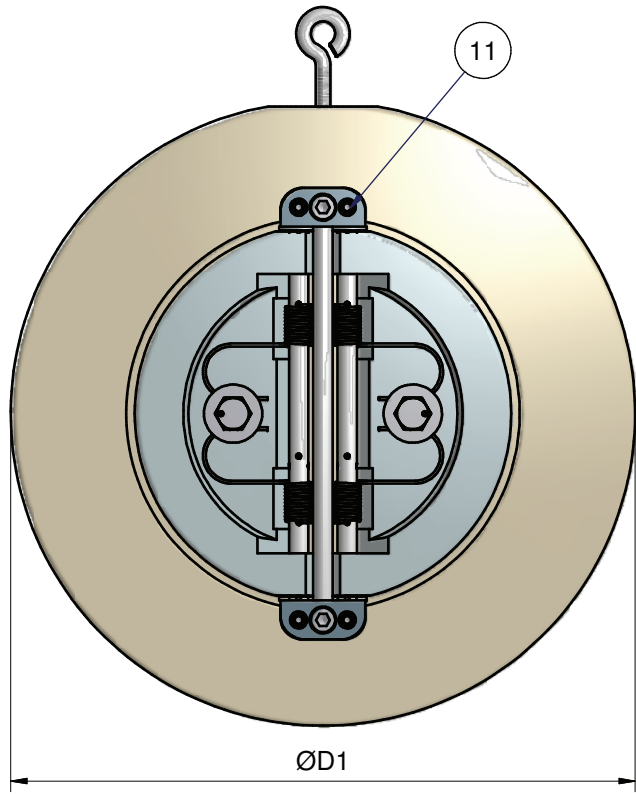
- Product classification according to PED 97/23/EC, Fluid Group 1
- Placement between flanges according to DIN EN 1092-1, Form B1, PN 10-40 and ANSI B16.5 Class 150/ 300 RF
- Operational limits according to DIN EN 1092-1 and AD-Merkblätter W10
- Tightness according to DIN EN 12266-1
- Leakage Rate G (Sealing M, T) and Leakage Rate A (Sealing E, P, V)
- Overall length according to DIN EN 558, line 16
- Identification according to DIN EN 19

| DN (mm) | 350 | 400 | 450 | 500 | 600 | 700 | 800 | 900 | 1000 | 1200 |
|---------------|-----|-----|-----|-----|-----|-------|--------|--------|--------|--------|
| DN (zoll) | 14" | 16" | 18" | 20" | 24" | 28" | 32" | 36" | 40" | 48 |
| L | 127 | 140 | 152 | 152 | 178 | 229 | 241 | 241 | 300 | 350 |
| Ø D1, PN10 | 438 | 489 | 539 | 594 | 695 | 810 | 917 | 1017 | 1124 | 1341 |
| Ø D1, PN16 | 444 | 495 | 555 | 617 | 734 | 804 | 911 | 1011 | 1128 | 1342 |
| Ø D1, PN25 | 457 | 514 | 564 | 624 | 731 | 833 | 942 | 1042 | 1154 | --- |
| Ø D1, PN40 | 474 | 546 | 571 | 628 | 747 | --- | --- | --- | --- | --- |
| Ø D1, ANSI150 | 447 | 511 | 546 | 603 | 714 | 828.7 | 936.6 | 1044.5 | 1158.8 | 1381.1 |
| Ø D1, ANSI300 | 482 | 536 | 593 | 650 | 771 | 895.4 | 1003.3 | 1114.4 | 1111.2 | 1320.8 |
| Gewicht (Kg) | 95 | 132 | 178 | 200 | 270 | 438 | 670 | 806 | 1170 | 1560 |

| Stückliste | | | | |
|------------|------|---------------------|---------------------------|--------------------|
| PO | ANZA | BAUTEILNUMMER | BEZEICHNUNG | MATERIAL |
| 14 | 1 | ddcrs_-150 | DDC- Ring Screw M6-M12 | see data sheet DDC |
| 13 | 2 | ISO 8752 - 2 x 12 A | DDC-Split Pin 2 x 12 | see data sheet DDC |
| 12 | 2 | DIN 933 - M8 x 10 | Hexagon head srew M8 x 10 | see data sheet DDC |
| 11 | 4 | ISO 4026 - M6 x 10 | Head less screw M6 x 10 | see data sheet DDC |
| 10 | 4 | DIN 125 - A 8.4 | Washer 8.4 A | see data sheet DDC |
| 9 | 2 | DIN 9021 - 8.4 | Washer 8.4 | see data sheet DDC |
| 8 | 2 | ISO 4762 - M6 x 35 | Head cap screw M6 x 35 | see data sheet DDC |
| 7 | 2 | ddcfe_-150-02 | DDC-Spring-02 DN150 | see data sheet DDC |
| 6 | 2 | ddcfe_-150-01 | DDC-Spring-01 DN150 | see data sheet DDC |
| 5 | 1 | ddcaw_-150pn40 | DDC-Stop Pin DN150, PN40 | see data sheet DDC |
| 4 | 2 | ddcwe_-150pn40 | DDC-Pin DN150, PN40 | see data sheet DDC |
| 3 | 2 | ddcha_-150pn40 | DDC-Holder DN150, PN40 | see data sheet DDC |
| 2 | 2 | ddckh_-150pn40 | DDC-Disc DN150, PN40 | see data sheet DDC |
| 1 | 1 | ddcge_-150pn40 | DDC-Body DN150, PN40 | see data sheet DDC |

| | | | | |
|--|--|--|------------|---|
| Auftrags-Nr.: | | last edit | 09.07.2010 | b.schmid |
| Toleranzen ISO 2768 - mH | | Gezeichnet | 09.07.2010 | |
| Kanten DIN 6784; Oberflächen ISO 1302 | | Ersteller | B.Schmid | |
| FN:N:\3D\DDC\DDC150\ddc150_a\ddc_m150_broschüre_dn350-1200.iam | | | | |
| ChemValve-Schmid Armaturentechnik | | Benennung Double Disc Check Valve Type DDC DN350 - 1200 | | Zeichnungs-Nr. ddc_m150_broschüre_dn350-1200.iam |

Toleranzen ISO 2768 - mH
Kanten DIN 6784; Oberflächen ISO 1302
FN:N:\3D\DDC\DDC150\ddc150_a\ddc_m150_broschüre_dn350-1200.iam
last edit 09.07.2010 b.schmid
Gezeichnet 09.07.2010
Ersteller B.Schmid
Massstab 1:1



- Product classification according to PED 97/23/EC, Fluid Group 1
- Placement between flanges according to DIN EN 1092-1, Form B1, PN 63-100 and ANSI B16.5 Class 600 RF
- Operational limits according to DIN EN 1092-1 and AD-Merkblätter W10
- Tightness according to DIN EN 12266-1
- Leakage Rate G (Sealing M, T) and Leakage Rate A (Sealing E, P, V)
- Overall length according to DIN EN 558, line 16
- Identification according to DIN EN 19

| Stückliste | | | | |
|------------|------|---------------------|---------------------------|--------------------|
| PO | ANZA | BAUTEILNUMMER | BEZEICHNUNG | MATERIAL |
| 14 | 1 | ddcrs_-150 | DDC- Ring Screw M6-M12 | see data sheet DDC |
| 13 | 2 | ISO 8752 - 2 x 12 A | DDC-Split Pin 2 x 12 | see data sheet DDC |
| 12 | 2 | DIN 933 - M8 x 10 | Hexagon head srew M8 x 10 | see data sheet DDC |
| 11 | 4 | ISO 4026 - M6 x 10 | Head less screw M6 x 10 | see data sheet DDC |
| 10 | 4 | DIN 125 - A 8.4 | Washer 8.4 A | see data sheet DDC |
| 9 | 2 | DIN 9021 - 8.4 | Washer 8.4 | see data sheet DDC |
| 8 | 2 | ISO 4762 - M6 x 35 | Head cap screw M6 x 35 | see data sheet DDC |
| 7 | 2 | ddcfe_-150-02 | DDC-Spring-01 DN150 | see data sheet DDC |
| 6 | 2 | ddcfe_-150-01 | DDC-Spring-01 DN150 | see data sheet DDC |
| 5 | 1 | ddcaw_-150pn100 | DDC-Stop Pin DN150, PN100 | see data sheet DDC |
| 4 | 2 | ddcwe_-150pn100 | DDC-Pin DN150, PN100 | see data sheet DDC |
| 3 | 2 | ddcha_-150pn100 | DDC-Holder DN150, PN100 | see data sheet DDC |
| 2 | 2 | ddckh_-150pn100 | DDC-Disc DN150, PN100 | see data sheet DDC |
| 1 | 1 | ddcge_-150pn100 | DDC-Body DN150, PN100 | see data sheet DDC |

| | | | | | | | | | |
|-----------------|-----|--------|-----|-----|-----|-------|-------|-----|-----|
| DN (mm) | 50 | 65 | 80 | 100 | 125 | 150 | 200 | 250 | 300 |
| DN (zoll) | 2" | 2 1/2" | 3" | 4" | 5" | 6" | 8" | 10" | 12" |
| L | 43 | 46 | 64 | 64 | 70 | 76 | 89 | 114 | 114 |
| Ø D1, PN63 | 113 | 138 | 148 | 170 | 210 | 247 | 309 | 364 | 424 |
| Ø D1, PN100 | 119 | 144 | 154 | 180 | 217 | 257 | 324 | 391 | 458 |
| Ø D1, Class 600 | 107 | 127 | 142 | 190 | 238 | 263.5 | 317.5 | 397 | 454 |

| | | | | | |
|--|--|------------|-----------|---|-----|
| Auftrags-Nr.: | last edit | 09.07.2010 | b.schmid | Masstab | 1:1 |
| Toleranzen ISO 2768 - mH | Gezeichnet | 20.11.2008 | Ersteller | B.Schmid | |
| FN:N:\3D\DDC\DDC150\ddc150_a\ddc_m150pn100_broschüre_dn050-300.iam | | | | | |
| ChemValve-Schmid Armaturentechnik | Benennung Double Disc Check ValveType DDC PN63-100, Class 600 | | | Zeichnungs-Nr. ddc_m150pn100_broschüre_dn050-300.iam | |