

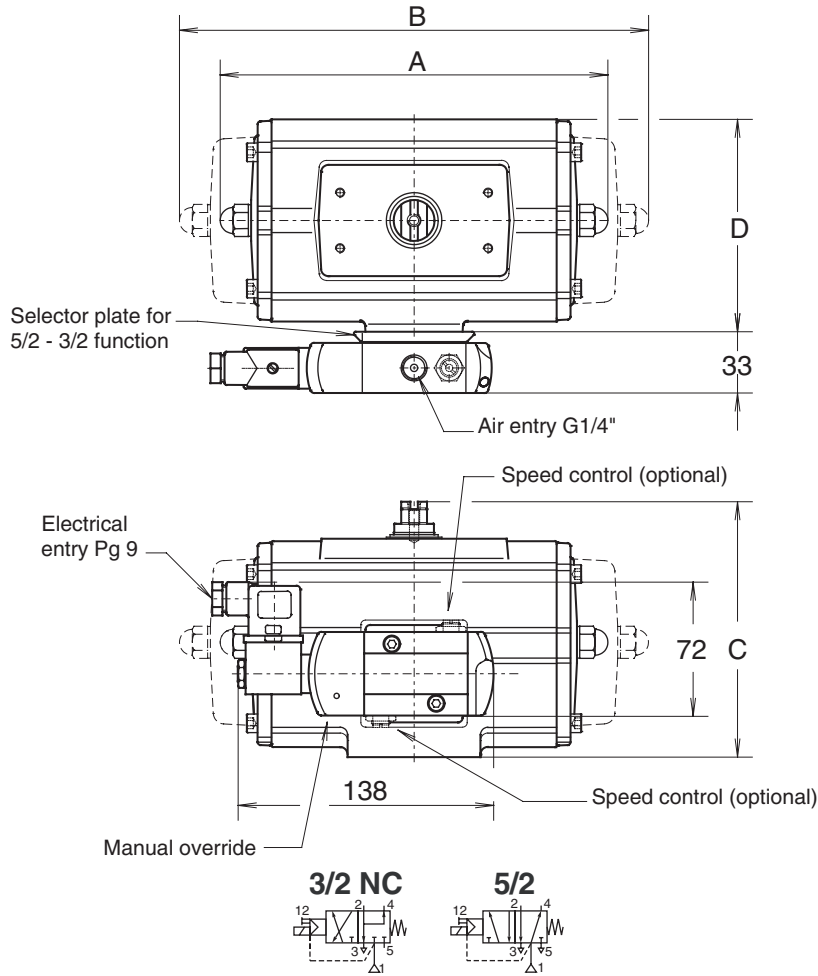
Subject to change without notice

VALVE AUTOMATION SYSTEMS

WWW.EL-O-MATIC.COM

All rights reserved  
3.1.06.3

Date:  
May '04



Dim. in mm.	Actuator type											
	E12	E25	E40	E65	E100	E200	E350	E600	E950	E1600	P2500	P4000
<b>A PD/ED</b>	103	159	180	199	221	283	305	387	424	516	378	502
<b>B PS/ES</b>	118	172	204	249	267	360	387	477	517	637	570	834
<b>C</b>	80	100	113	125	138	163	201	250	289	327	386	410
<b>D</b>	60	83	96	107	117	137	181	217	242	275	360	390
<b>Operating times in sec. (at 6 bar with average load)</b>												
	0.3	0.4	0.4	0.5	0.6	0.9	1.3	2	3	5	6	10

**Description:**

For general purpose solenoid control the Asco solenoid valve is fixed directly to the NAMUR interface on the side of the actuator (E12 requires adaptor plate). The valve is a universal type, (5/2 or 3/2) and can be used on double acting or spring return actuators by simply rotating the sealing plate.

The single solenoid control is continuously rated, and in the event of electrical failure the actuator returns to the clockwise (normally valve closed) position; by mechanical spring in case of single acting; and air in case of double acting versions.

The normally 1/4" ported valve has a high kv value, allowing fast operating times.

The assembly is waterproof to IP65. A local manual operation facility is provided as standard. Speed controllers can be fitted as an option.

**General Specification:**

Make	: Asco	Power	: AC : 2.5W
Series	: 551		: DC : hot : 2.5W / cold : 3W
Type	: 5/2-3/2	Voltages	: 24V DC
Material housing	: Aluminium anodized		: 24, 115 or 230 VAC (50Hz)
endcaps	: Glass-filled polyamide		: Other voltages and
option	: Stainless Steel		: 60Hz on request
Air pressure	: 2 to 8 bar	Air Entry	: G 1/4"
Lubrication	: Not necessary	Air flow, kv	: 0.6 (m³/h)
Temperature	: -25° to 60°C		
	(optional -40°C)		

**Waterproof**

Part number AC/DC	SC G551A001 MS <sup>(1)</sup>
Electrical entry	Plug, DIN 46244
Enclosure	IP 65
Class	-

**Encapsulation**

PV G551A001 MS <sup>(1)</sup>
Cable (2m)
IP 65.
II 2G EEx m II T5...T3 <sup>(3)</sup>

**Hazardous area executions :**

Description	Class	Solenoid	Entry
Flame proof	II 2G/D EEx d IIC T6...T4 IP65	NF G551B401 <sup>(1) (2)</sup>	1/2" NPT
Intrinsically Safe	II 1G EEx ia IIC T6	ISSC G551B301 <sup>(1) (2)</sup>	PG11
	II 1G EEx ia IIC T6	WPIS G551B301 <sup>(1) (2)</sup>	Cable gland
Increased safety/ Encapsulation	II 2G EEx em II T6...T3	EM G551A401 <sup>(1) (2)</sup>	Cable gland

**Note:**

- Specify voltage
- If local manual operation is required on hazardous area executions, add MO to the part number, i.e. : NF G551B401 MO
- Depending on ambient temperature
- Operating times are dependent on load.

EL-O-MATIC ACTUATORS WITH ASCO SOLENOID VALVES